



40001/2700/NE LUNAOP

design emiliana martinelli, 2005

Hanging lamp, diameter 50cm, diffused light, coated aluminum structure in various finishes.

White opal methacrylate diffuser.

The structure needs to be connected to the ceiling through the canopy, both for the single version and for the version composed by more than one Lunaop. LED light source integrated, 4000K, 3000K or 2700K.

Canopy to be ordered separately.

Electronic driver integrated inside the ceiling rose available in the following versions:

- non dimmable
- dimmable Push/Dali, triac 5 fili, 0-10V e 1-10V



2015

40001/2700/NE lunaop

family:	lunaop	Body Color:	<input checked="" type="radio"/> other available colors <input type="radio"/> <input type="radio"/> <input type="radio"/>
Designers:	Emiliana Martinelli	Diffuser Color:	<input type="radio"/>
Utilization:	indoor	Body Materials:	aluminium
Typology:	pendant	Diffuser Materials:	opal white methacrylate
Certifications:			
Market:	This item is available in the following countries: EUROPE		

Dimensions

Width:	-
Height:	6,5 cm
Length:	-
Depth:	-
Diameter:	50 cm

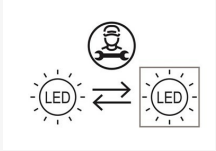
Hole Diameter:	-
Hole Depth:	-
Net weight:	2 Kg

Light Source

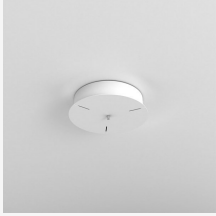
Watt:	48W
Lumen:	3700 lm
Light Source:	led
CRI:	>90
duration:	50000
CCT:	2700K
Energy degree:	F

Device Specifications

Type of emission:	diffused	Power cable length:	400 cm	Driver:	not included
Power:	48W	Steel cable length:	400 cm	Power supply assembly:	external
Light output:	2173lm	Glow Wire Test:	-	Power supply:	-
Beam angle:	-	Impact Resistance:	-	Type of dimming:	-
				Voltage:	24V



Accessories



canopy lunaop
75W not dimmable



canopy lunaop 75W
dimmable



canopy lunaop 150W
not dimmable



canopy lunaop 150W
dimmable



canopy lunaop 3x150W
not dimmable



canopy lunaop 2x150W
dimmable



canopy lunaop
3x150W dimmable



canopy lunaop 2x150W
not dimmable



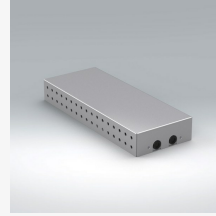
canopy lunaop 75W
dimmable triac



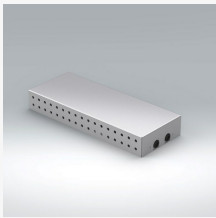
Non-dimmable power
supply unit for 75W
non-dimmable Lunaop



Power supply unit for
75W push/dali
dimmable Lunaop



Power supply unit for
150W non-dimmable
Lunaop

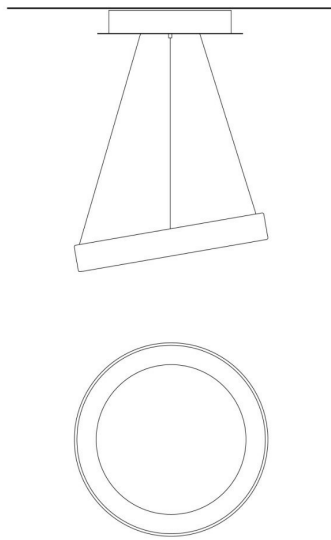


Power supply unit for
150W push/dali
dimmable Lunaop



canopy lunaop 150W
dimmable triac

technical drawing

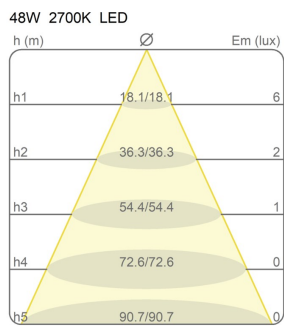
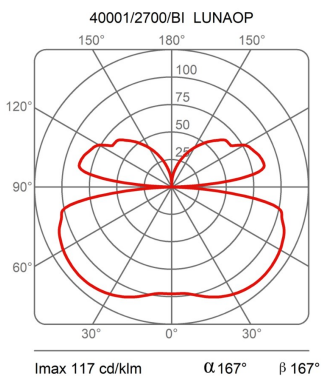
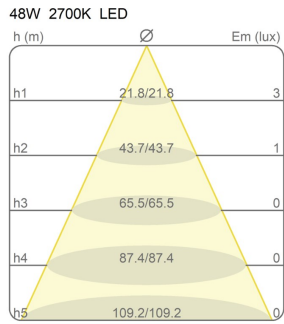
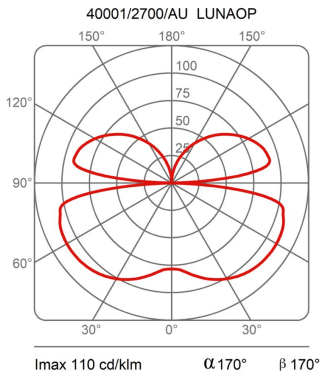


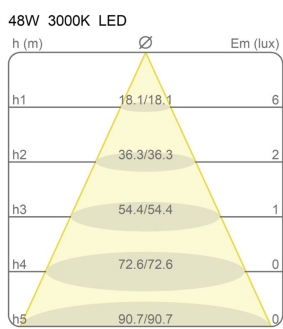
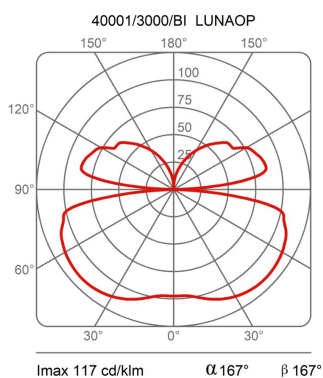
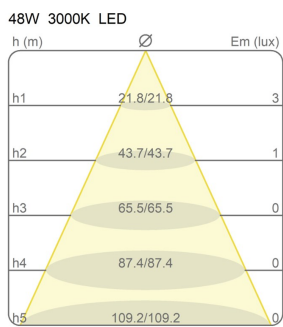
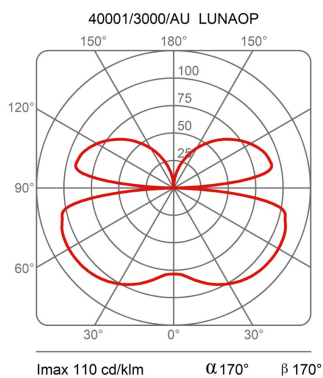
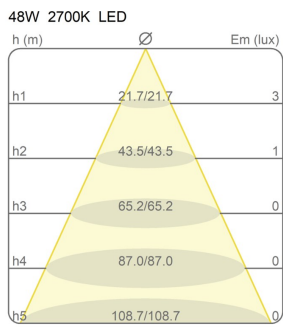
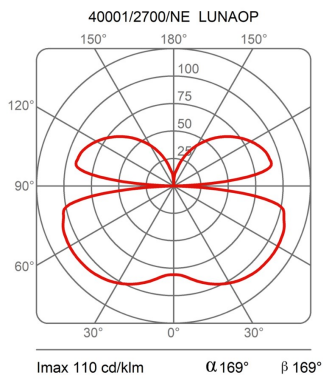
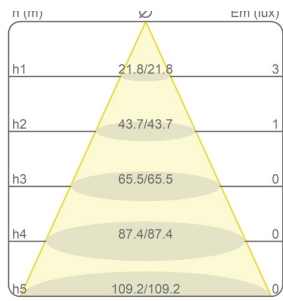
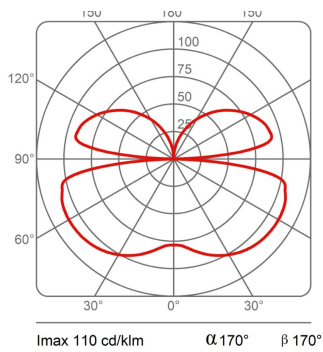
Dimensions

Width: -
 Height: 6,5 cm
 Length: -
 Depth: -
 Diameter: 50 cm

Hole Diameter: -
 Hole Depth: -
 Net weight: 2 Kg

photometrics data



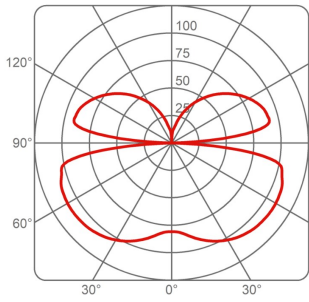


40001/4000/NE LUNAOP

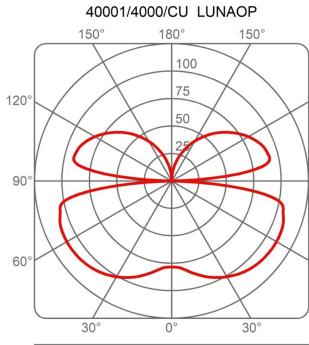
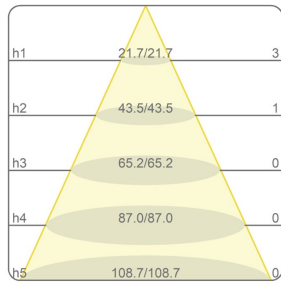
150° 180° 150°

48W 4000K LED

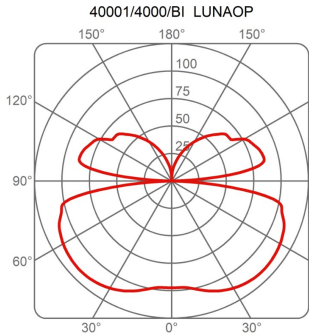
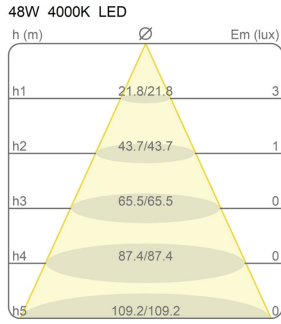
h (m) Ø Em (lux)



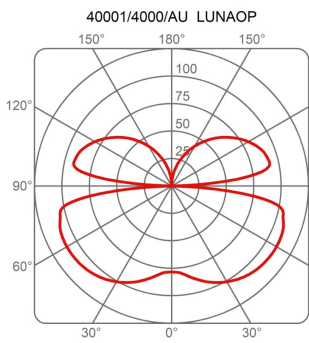
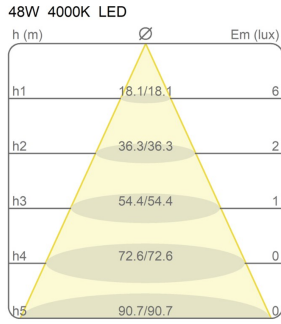
Imax 110 cd/klm α 169° β 169°



Imax 110 cd/klm α 170° β 170°



Imax 117 cd/klm α 167° β 167°



Imax 110 cd/klm α 170° β 170°

