

Cornelia & Messalina

Massimiliano Raggi



CORNELIA



MESSALINA



Cornelia e Messalina sono lampade a sospensione in pasta di vetro soffiato colorata, una tecnica che dona un tocco di magia e un gioco di intriganti trasparenze. Ora disponibile in nuovi colori: grigio fumè, ambra scura o ametista. Su richiesta sono disponibili composizioni multiple speciali.

Cornelia and Messalina are suspension lights in coloured blown-glass paste – a technique that gives a touch of magic and a play of intriguing transparencies. Now available in new colours: smoked grey, dark amber, or amethyst. Special multiple compositions are available on request.

SPECIFICHE PRODOTTO / PRODUCT SPECIFICS

CORNELIA

CORNELIA DIFFUSER + CABLE

ATTACCO PER CONTROSOFFITTO / **CONNECTION FOR FALSE CEILING**

p.2

MESSALINA

MESSALINA DIFFUSER + CABLE

ATTACCO PER CONTROSOFFITTO / **CONNECTION FOR FALSE CEILING**

p.3

p.4

p.5

p.6

p.7

p.8

STRUTTURA / FRAME



Nickel dorato satinato
Satin golden nickel finish



STRUTTURA CORNELIA CLUSTER CORNELIA CLUSTER FRAME

Laccato bianco
White lacquered

DIFFUSORE / DIFFUSER



Vetro soffiato ambra scuro
*Hand blown glass
amber colour*



Vetro soffiato ametista
*Hand blown glass
amethyst colour*



Vetro soffiato grigio fumé
*Hand blown glass
smoked grey colour*

CAVO / CABLE

Tessuto color sabbia
Sand colour fabric

SO
H: 2000 mm
H: 78.7"

FONTE LUMINOSA / LIGHT SOURCE

220-240V



E27 LED

CORNELIA
1 x 14W E27
Lampadina LED
LED light bulb
IP20

MESSALINA
1 x 12W E27
Lampadina LED
LED light bulb
IP20



Compatibile con sistemi di controllo remoto in caso di utilizzo di lampadine LED dimmerabili

Compatible with remote control systems when dimmable LED bulbs are used



110V



E26 LED

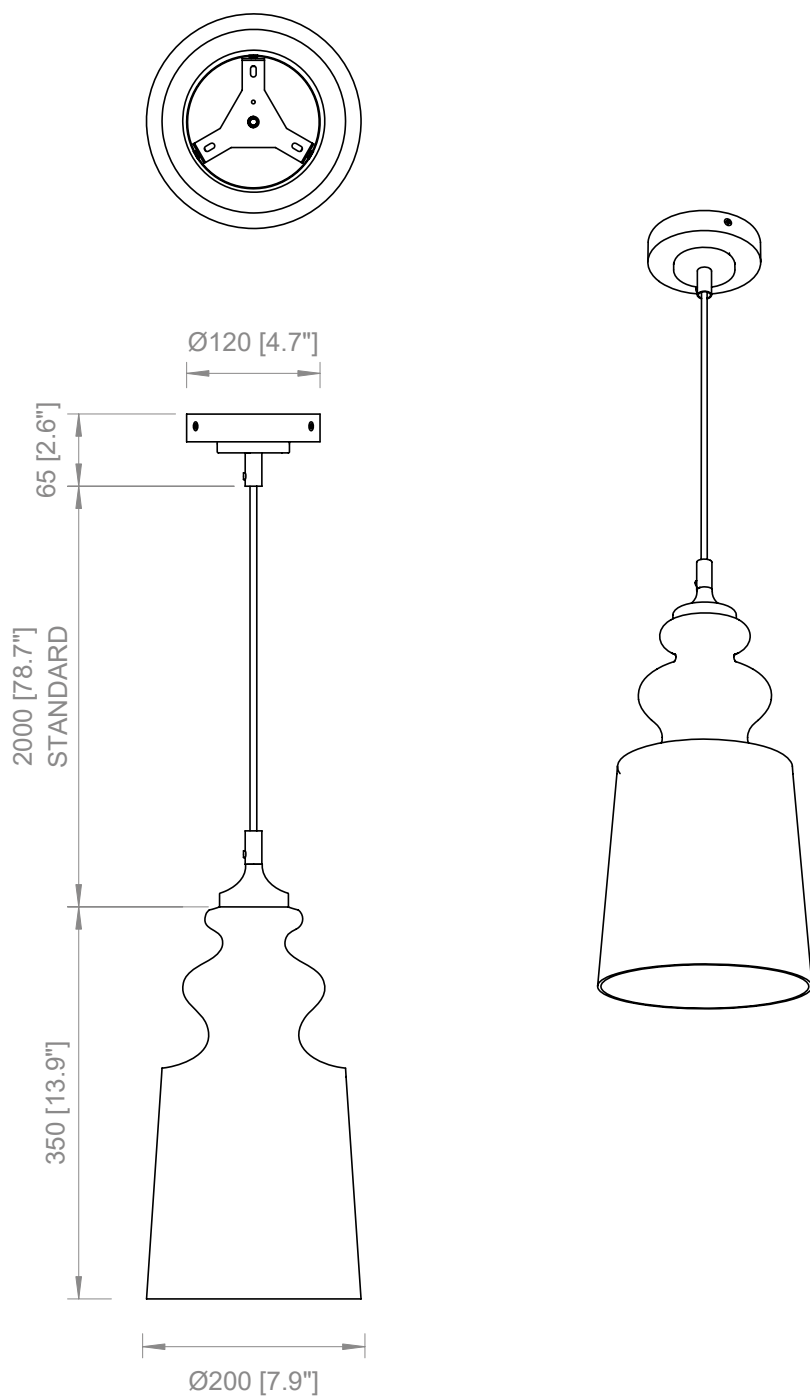
CORNELIA
1 x 14W E26
LED light bulb
IP20

MESSALINA
1 x 12W E26
LED light bulb
IP20



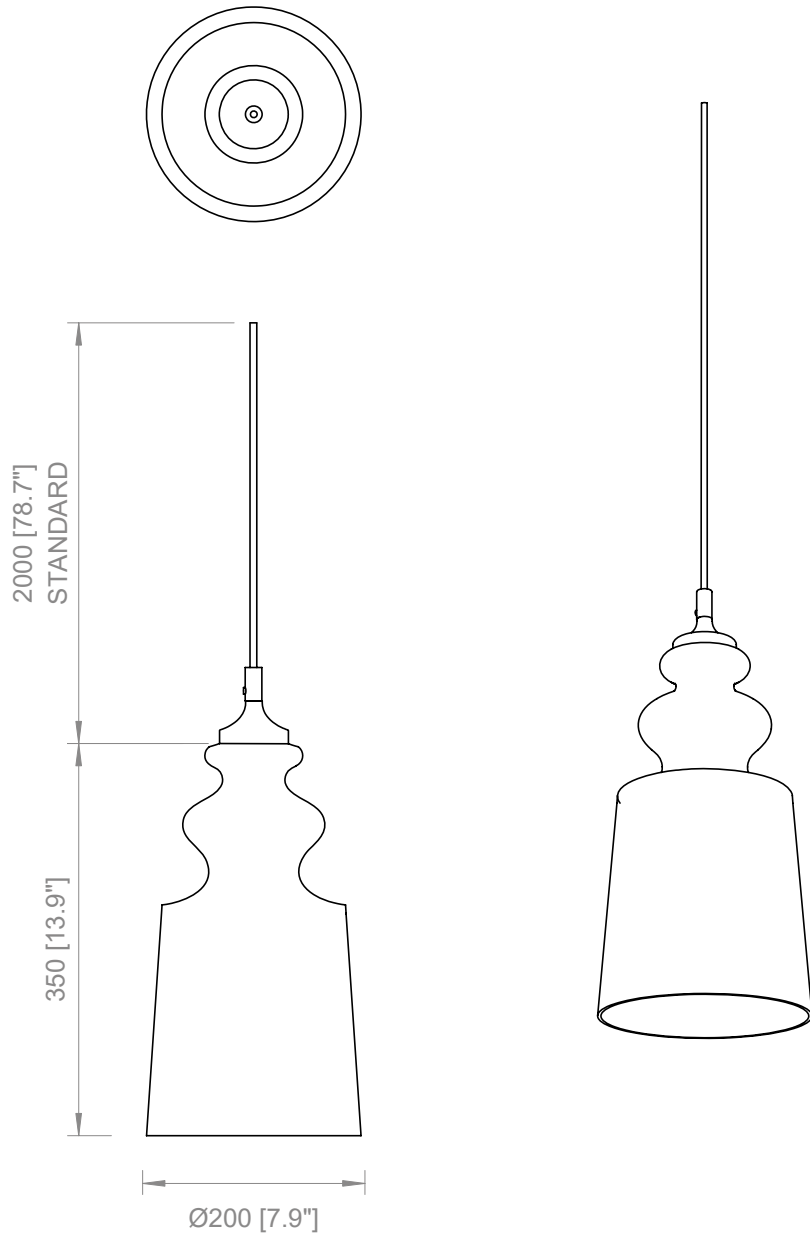
Compatible with remote control systems when dimmable LED bulbs are used





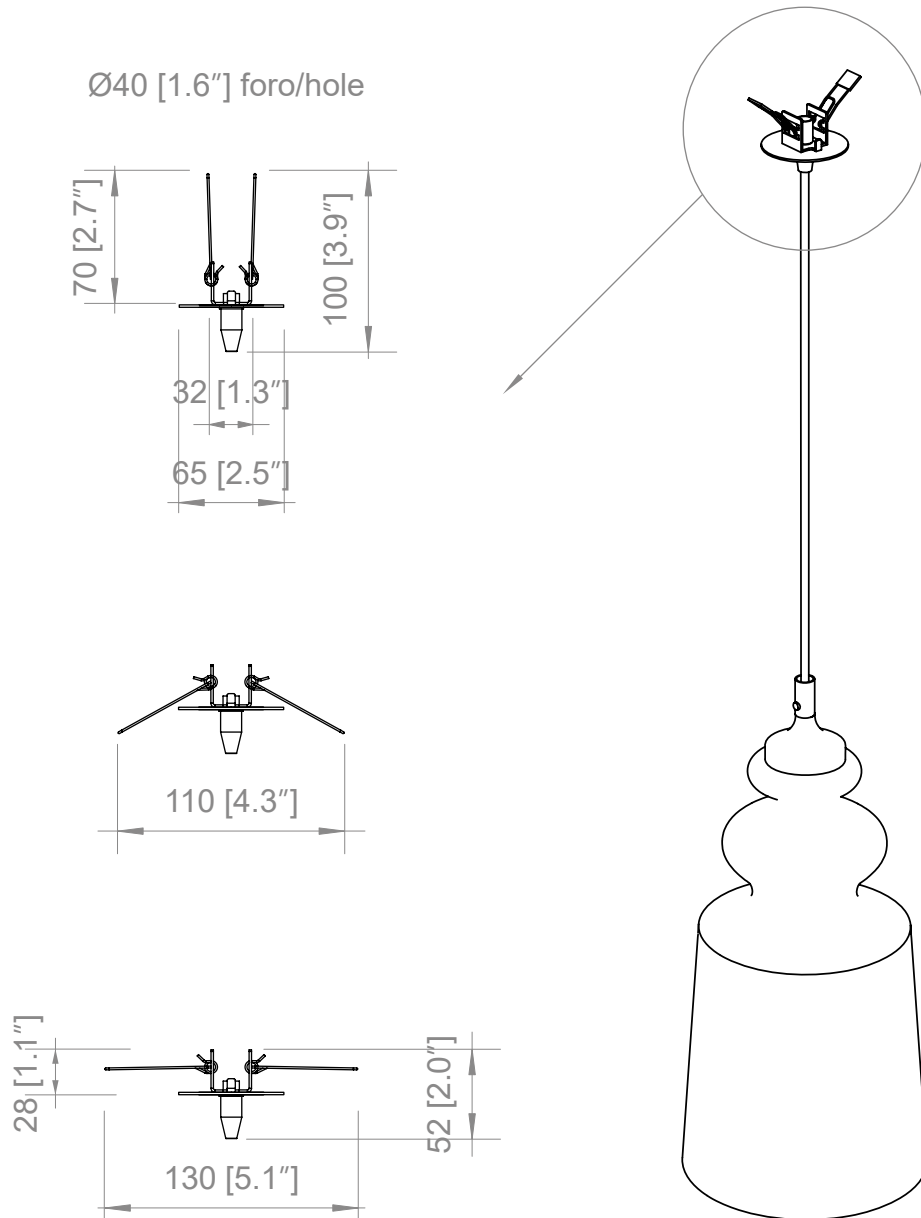
PRODUCT / PRODUCT IMBALLI / PACKAGING

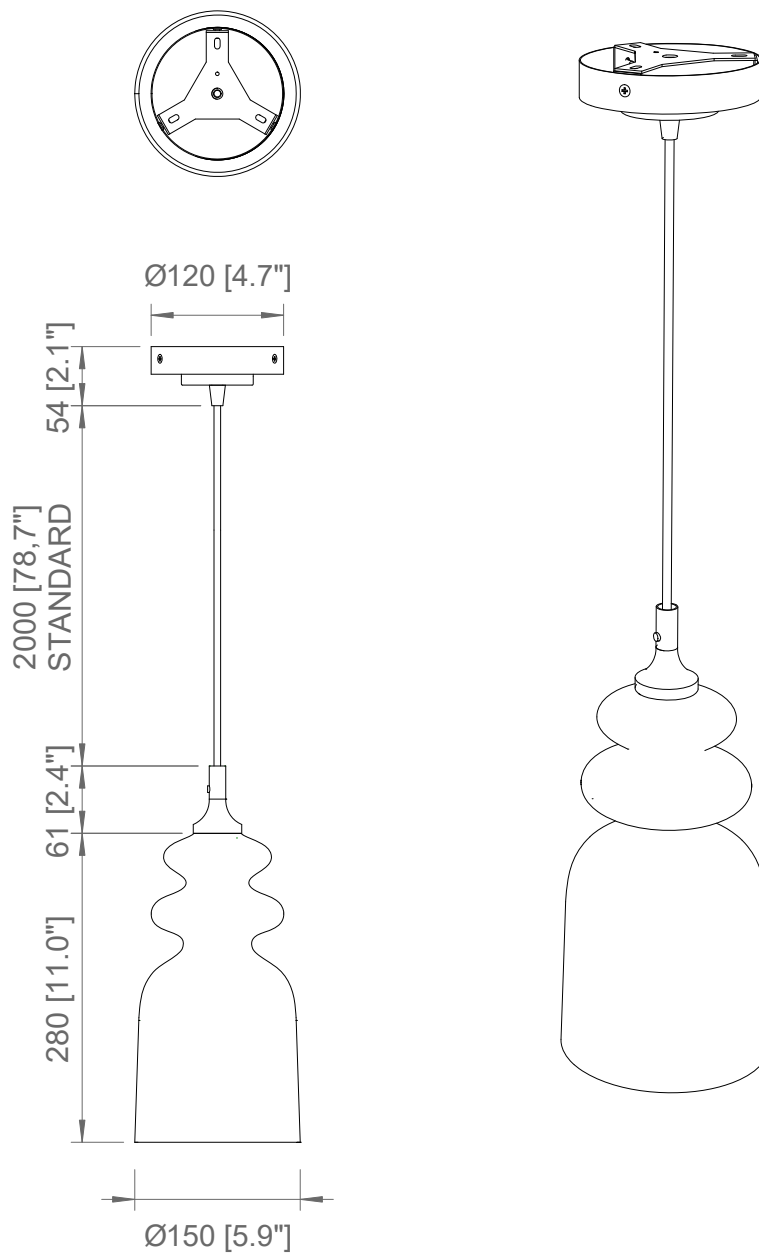
Peso-Weight	Box 1	Box 2
1.5 kg / 3.3 lbs	L: 250 mm / 9.8"	L: 270 mm / 10.6"
	P-W: 200 mm / 7.8"	P-W: 270 mm / 10.6"
	H: 220 mm / 8.6"	H: 420 mm / 16.5"
	Peso-Weight: 1 kg / 2.2 lbs	Peso-Weight: 2 kg / 4.4 lbs



PRODUCT / PRODUCT IMBALLI / PACKAGING

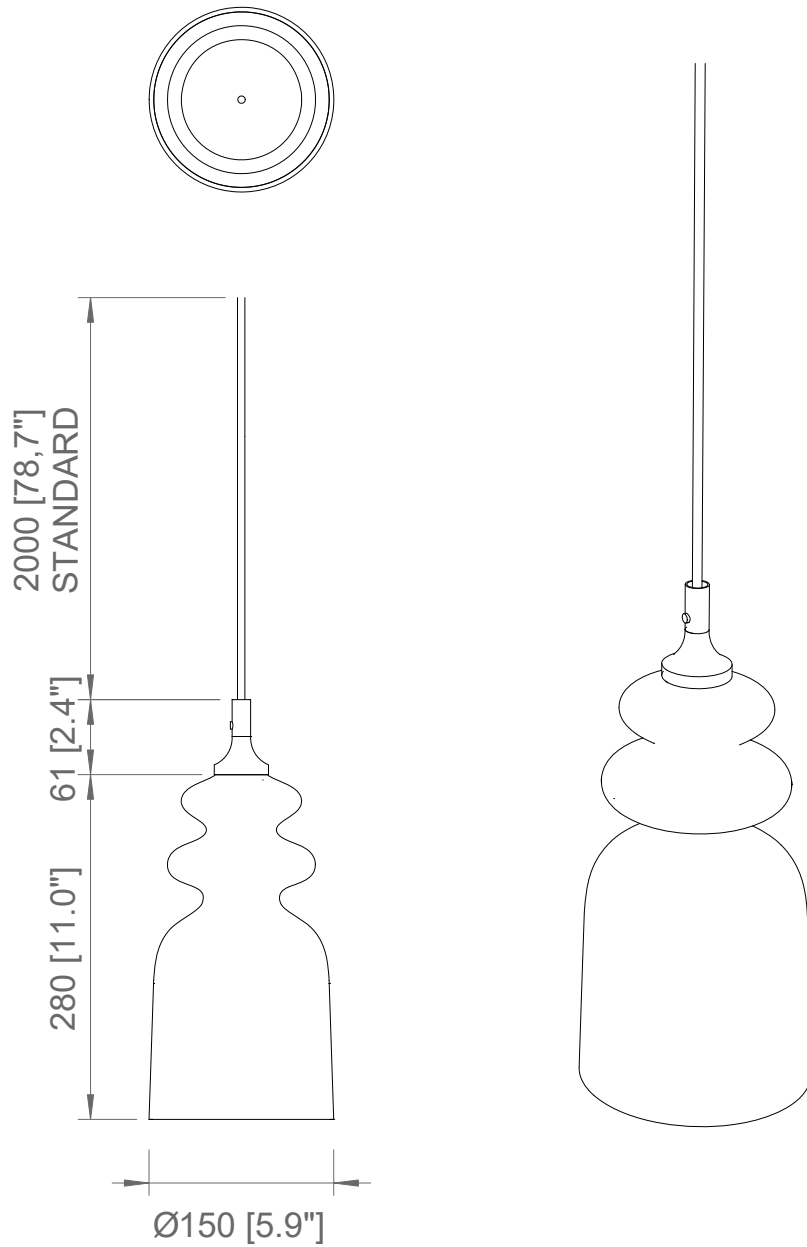
Peso-Weight	Box 1	Box 2
1.5 kg / 3.3 lbs	L: 250 mm / 9.8"	L: 270 mm / 10.6"
	P-W: 200 mm / 7.8"	P-W: 270 mm / 10.6"
	H: 220 mm / 8.6"	H: 420 mm / 16.5"
	Peso-Weight: 1 kg / 2.2 lbs	Peso-Weight: 2 kg / 4.4 lbs





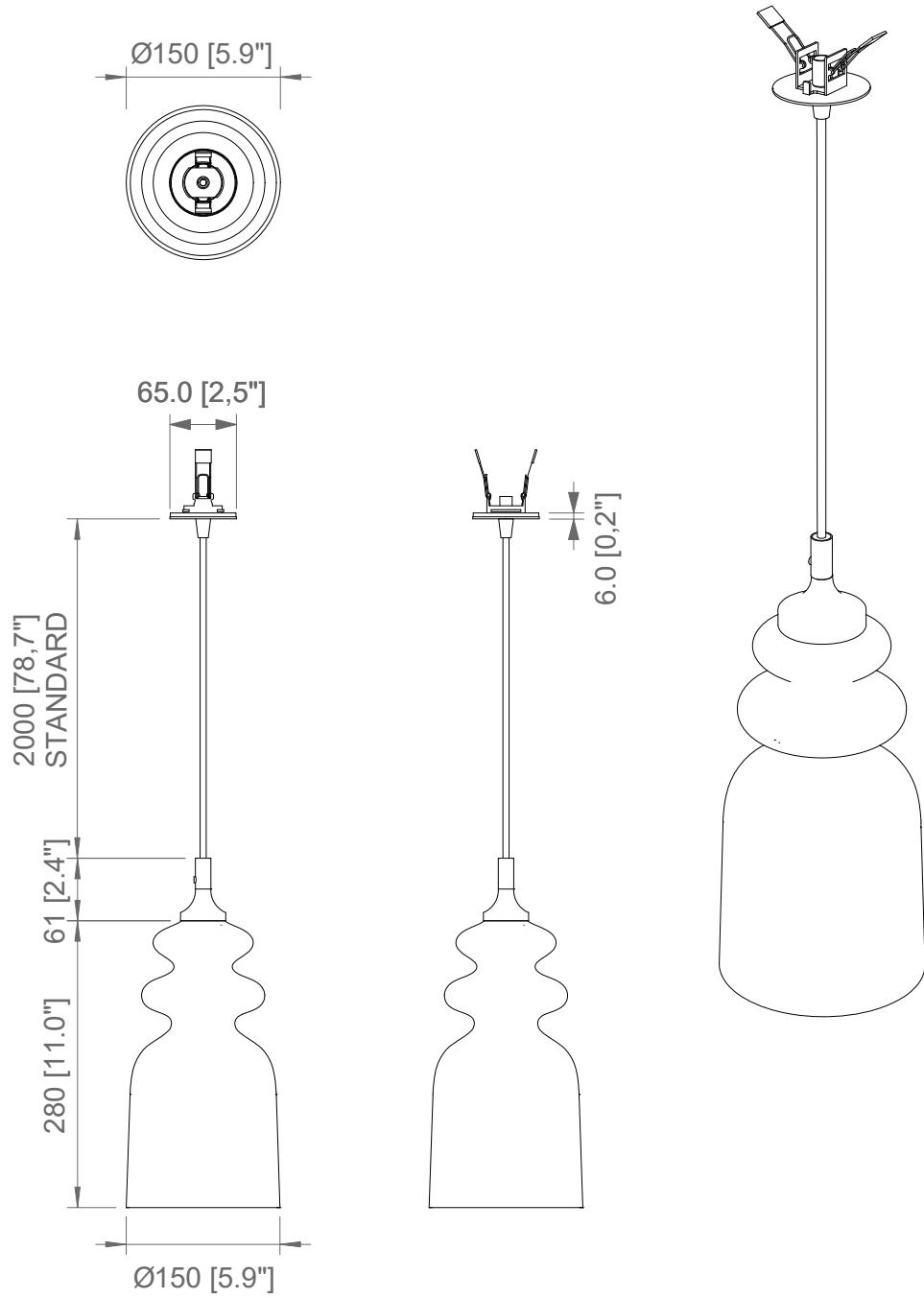
PRODUCT / PRODUCT IMBALLI / PACKAGING

Peso-Weight	Box 1	Box 2
1 kg / 2.2 lbs	L: 270 mm / 10.6"	L: 230 mm / 9"
	P-W: 270 mm / 10.6"	P-W: 230 mm / 9"
	H: 250 mm / 9.8"	H: 380 mm / 15"
	Peso-Weight: 1 kg / 2.2 lbs	Peso-Weight: 1 kg / 2.2 lbs



PRODUCT / PRODUCT IMBALLI / PACKAGING

Peso-Weight	Box 1	Box 2
1 kg / 2.2 lbs	L: 270 mm / 10.6"	L: 230 mm / 9"
	P-W: 270 mm / 10.6"	P-W: 230 mm / 9"
	H: 250 mm / 9.8"	H: 380 mm / 15"
	Peso-Weight: 1 kg / 2.2 lbs	Peso-Weight: 1 kg / 2.2 lbs



Copyright and/or design rights subsist in this drawing. No part of this drawing may be reproduced in any material form (including photocopying or storing in any medium electronic means, whether or not intentionally and whether or not as part or a larger publication) without the express permission of the copyright owner, Contardi Lighting S.r.l.. Further and without prejudice to the above, this drawing and all information relating thereto is confidential, and shall not be communicated to a third party without the consent of Contardi lighting srl. Contardi lighting srl asserts all rights to be identified as the author of the work and otherwise.

WARNING: The doing of any unauthorised act in relation to a copyright work may result in both a civil claim for damages and criminal prosecution.

CONTARDI LIGHTING Srl

ITALY HEADQUARTERS

www.contardi-italia.com / sales@contardi-italia.it

CONTARDI USA Inc

USA BRANCH

www.contardi-usa.com / sales@contardi-usa.com

