

Emma

Contardi Studio



TA



AP



PL



L'uso del prezioso marmo, un elemento chiave della collezione, rende Emma un oggetto di vero design che aggiunge luce a qualsiasi superficie. La base nella versione da tavolo, a parete e a plafone, sono realizzati in marmo verde Guatemala o bianco Calacatta; il diffusore è un'affascinante sfera opale bianca che, grazie alla sua pura essenza, diffonde la luce in modo uniforme. Il fascino semplice e le forme sinuose di Emma si adattano a diversi tipi di ambienti, siano essi residenziali, retail o hospitality. Emma è disponibile nelle versioni da tavolo, soffitto e parete.

The use of marble, a key element of the collection, makes Emma an object of true design that adds a vibrant glow to any surface. The base in the table version, and the wall and ceiling supports, are made of green Guatemala or white Calacatta marble; the diffuser is a charming white opal sphere that, thanks to its pure essence, spreads the light evenly. Emma's simple appeal and sinuous shapes adapt to different types of environments, be they residential, retail or hospitality. Emma is available in table, ceiling and wall versions.

SPECIFICHE PRODOTTO / PRODUCT SPECIFICS

EMMA TA
EMMA AP
EMMA PL

p.2

p.3

p.4

p.5

STRUTTURA / FRAME



Marmo verde Guatemala
Green Guatemala marble



Marmo bianco Calacatta
White Calacatta marble

STRUTTURA / FRAME



Sfera bianco opale
White opal globe

FONTE LUMINOSA / LIGHT SOURCE

220-240V

G9 LED

TA

1 x 7W G9

Lampadina LED dimmerabile

Dimmable LED light bulb

IP20

Dimmerabile su cavo

Dimmer on cable

AP / PL

1 x 7W G9

Lampadina LED

LED light bulb

IP20

Compatibile con sistemi di controllo remoto in caso di utilizzo di lampadine LED dimmerabili

Compatible with remote control systems when dimmable LED bulbs are used



110V

G9 LED

TA

1 x 7W G9

Dimmable LED light bulb

IP20

Dimmer on cable

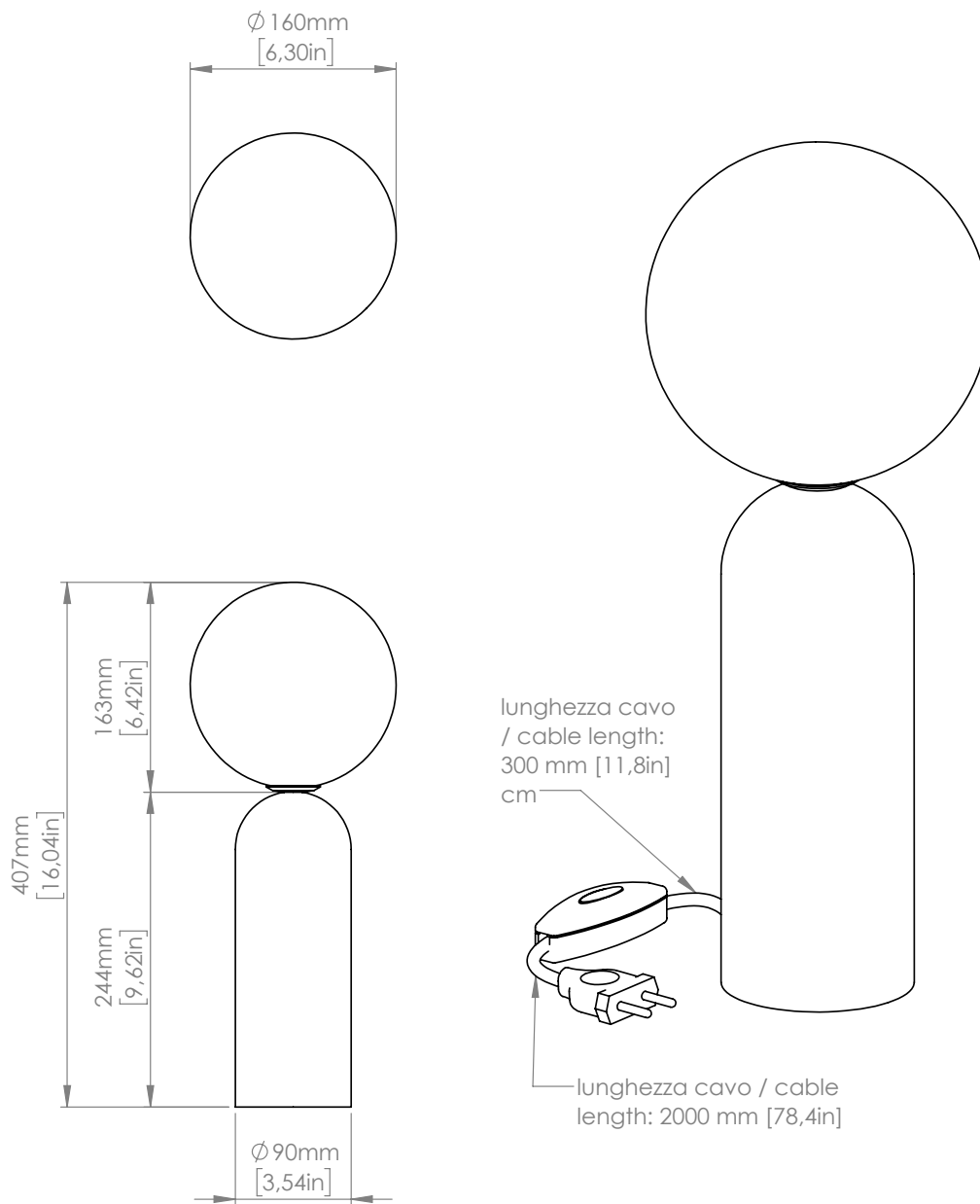
AP / PL

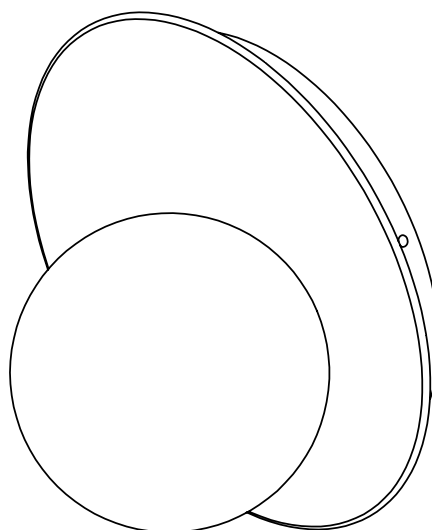
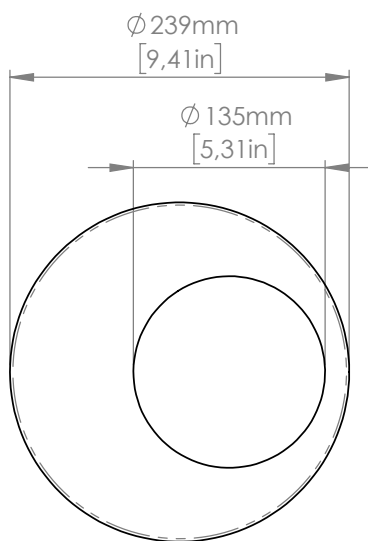
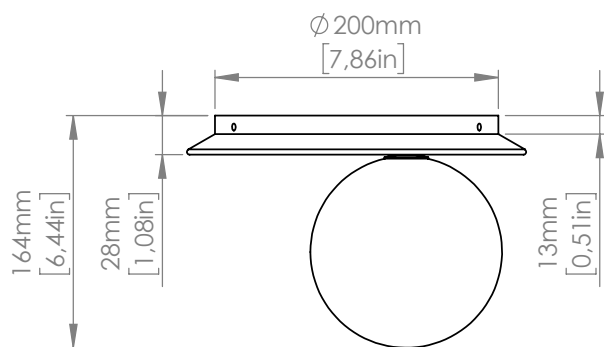
1 x 7W G9

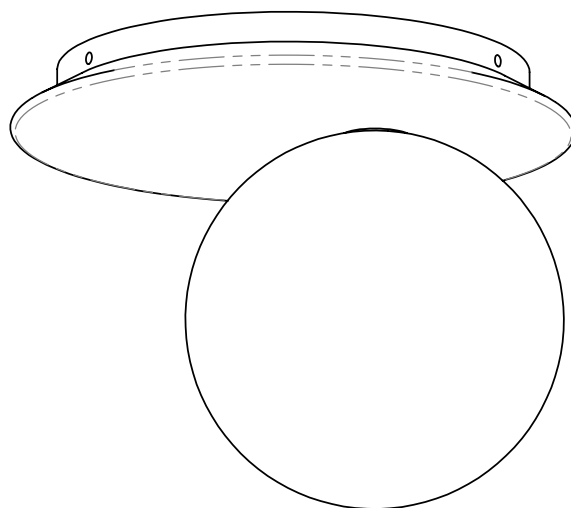
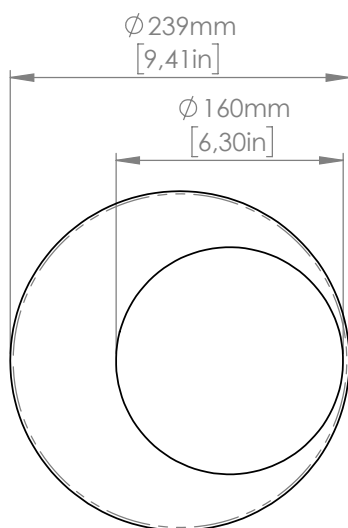
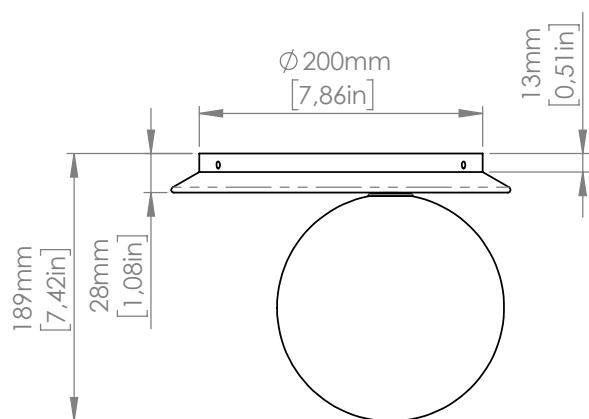
LED light bulb

IP20

Compatible with remote control systems when dimmable LED bulbs are used







Copyright and/or design rights subsist in this drawing. No part of this drawing may be reproduced in any material form (including photocopying or storing in any medium electronic means, whether or not intentionally and whether or not as part or a larger publication) without the express permission of the copyright owner, Contardi Lighting S.r.l.. Further and without prejudice to the above, this drawing and all information relating thereto is confidential, and shall not be communicated to a third party without the consent of Contardi lighting srl. Contardi lighting srl asserts all rights to be identified as the author of the work and otherwise.

WARNING: The doing of any unauthorised act in relation to a copyright work may result in both a civil claim for damages and criminal prosecution.

CONTARDI LIGHTING Srl

ITALY HEADQUARTERS

www.contardi-italia.com / sales@contardi-italia.it

CONTARDI USA Inc

USA BRANCH

www.contardi-usa.com / sales@contardi-usa.com

